

°CRYO SCIENCE
THE SCIENCE OF CRYOGENICS





°CRYO Science

The world class equipment innovator and solution provider for all cryogenic applications. We have mastered the science of using low temperature gases to deliver healing, preserving, and longevity benefits to the human body. At °CRYO Science we focus on delivering innovative solutions in cryotherapy, molecular gastronomy, and other customized installations with the objective of allowing you to thrive in your industry, be it healthcare, sports, beauty or gastronomy.

Our commitment to innovation and years of industry experience, allows us to give you an offering that is consistently trustworthy. Our returning client base is a testament to our superior technological solutions.

The possibilities with °CRYO Science are endless; our team is our reliable backbone with first class expertise in science, engineering, finance, and production, we ensure a targeted approach to all your cryogenic requirements.

We adapt, execute, and progress. We pride ourselves in being forward thinkers and our state of the art cryogenic equipment is the reason we are the right choice for you.

We handle worldwide inquiries and installations tailored to meet your needs.



°CRYO ARCTIC WHOLE BODY CHAMBER

When the right cryotherapy equipment is used, the science of subjecting the entire human body to extreme cold temperatures to stimulate the healing of its circulatory, nervous, and energy systems is a powerful remedial technology. According to scientific and medical research, the optimum efficiency of whole body cryotherapy procedures, is achieved once the body is exposed to temperatures up to -140°C , reducing the skin's surface temperature. These non-invasive, short, and extremely cold bursts of air projected to the human body evoke physiological reactions that prompt healing and recovery in numerous fields, including beautification treatments, sports injuries rehabilitation, and medical functions. Additionally, the controlled cold environment has been proven to trigger an analgesic reaction in the neural mind leading to positive mood states and thus acting as an antidepressant and sleep disorders repairer.

A cryotherapy session takes three minutes and it starts by the patient entering the °CRYO Arctic Chamber where cryogenically cooled air is released. Improvements in the skin's appearance and increased energy are immediately noticeable after the first treatment. For longer lasting results, a minimum of 10 sessions are generally recommended.

Our °CRYO Arctic Whole Body Cryotherapy Chamber uses state of the art technology that makes this complicated multi-lateral process of thermoregulation simple and efficient, while conforming to the highest quality and safety standards.

Our dedicated team is eager to work closely with all your needs to deliver a robust and effective solution that produces excellent results specific to your client base.



Features:

- Our °CRYO Arctic Whole Body Chamber, in contrast to widely available products, is designed with state of the art technology to be the ideal innovative solution for your patients
- Highest safety standards through the prevention of any patient contact with cryogenic gases; patients only come in contact with cryogenically cooled air
- Digital storage of patient data and treatment history to ensure fully personalized and accurate treatment recommendations
- Well-defined and streamlined user interface that is equipped with a digital touchscreen, and a library of °CRYO protocols to ensure a simplified user journey
- Electrically adjustable window and a temperature control to provide patients with the option to have the treatment with their head safely above the cold temperature environment
- Breathable air technology
- Heart rate sensor monitor
- Comfortable, practical and hygienic interior design
- Power supply for 110 and 230 V, 50/60 Hz



Benefits:



Sports Performance



Anti-Aging and
skin beautification



Weight-loss



Wellbeing

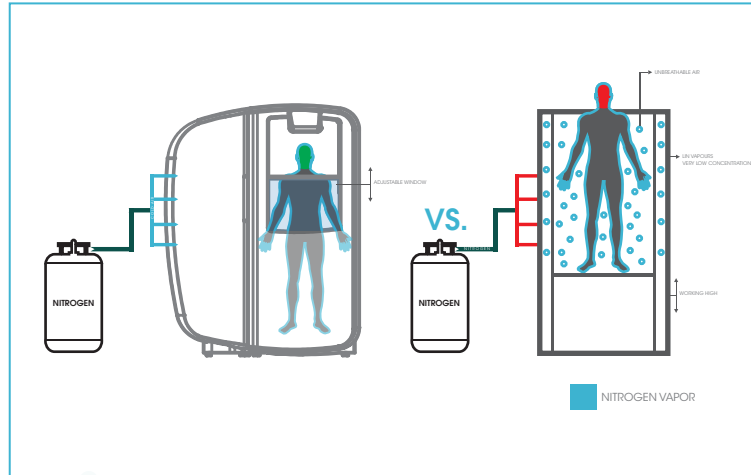


Preventative
Health

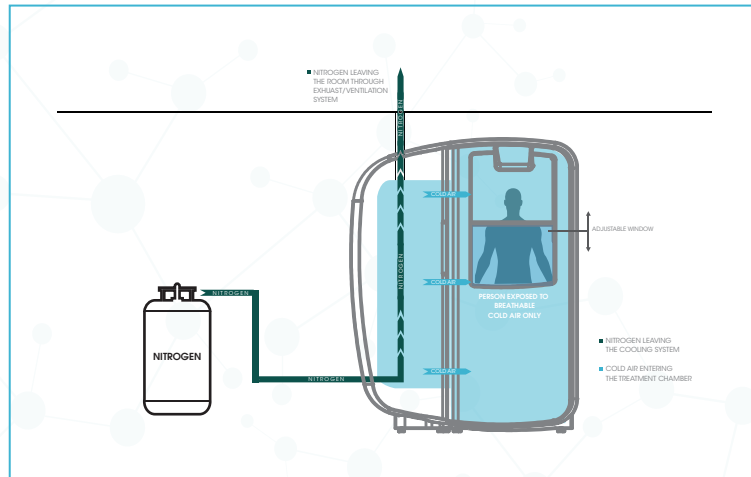
°CRYO ARCTIC WHOLE BODY CHAMBER COOLING PROCESS

HIGHEST SAFETY STANDARDS - NO DIRECT CONTACT WITH NITROGEN

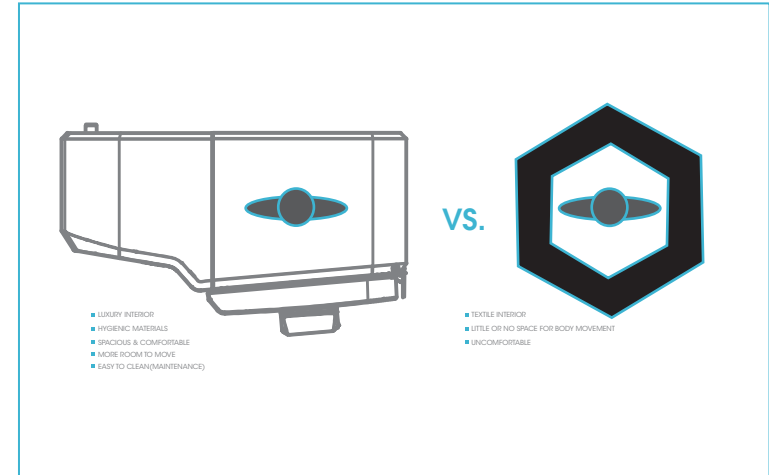
Unlike other cryotherapy chambers, the °CRYO Arctic only exposes the client to breathable air vapor, and not to harmful Nitrogen gas. The Nitrogen is filtered out through the system before coming in contact with the client.



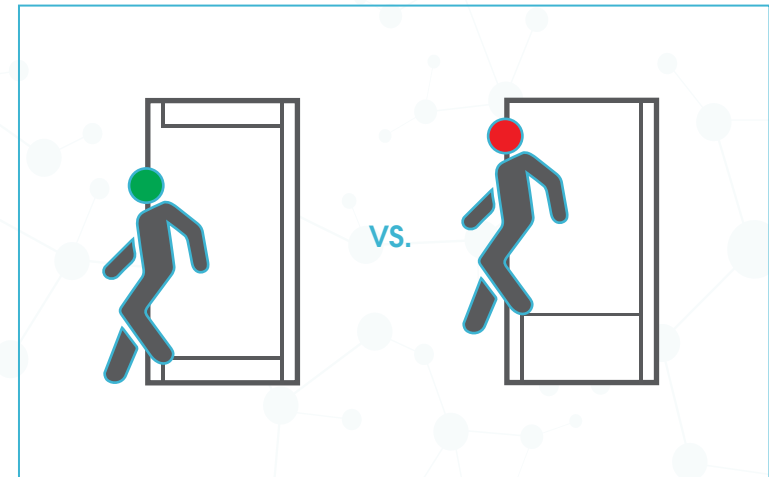
The °CRYO Arctic has an adjustable window in case the client would like to have his head above the air vapor.



The °CRYO Arctic has more space for clients to move around inside the chamber and not feel claustrophobic.



The °CRYO Arctic is equipped with an automatic lift system to ensure easy entry and exit.



TECHNICAL SPECIFICATION OF THE °CRYO ARCTIC WHOLE BODY CHAMBER:



Room Requirements:

Minimum room size is: 12 to 15 m².

Regular ventilation required.

Nitrogen tanks need to be handled safely, and connected to equipment via a cryogenic hose.

Nitrogen vapours need to be extracted out of the building via the exhaust/ ventilation system.

Emergency oxygen sensors are built within the equipment.

°CRYO ARCTIC IS AVAILABLE WORLDWIDE.

OUR SERVICE AND INSTALLATION ENGINEERS ARE AT YOUR DISPOSAL FOR TECHNICAL SUPPORT.

Dimensions of Appliance:

Height	230cm
Depth with doors - Open / Close	172cm / 100cm
Width doors - Open / Close	200cm / 180cm
The Arctic Chamber is delivered in boxes that fit through 90cm wide doors.	

Liquid Nitrogen consumption parameters:

First treatment to cool cryochamber down to -120 °C	5 -15 kg LN ₂
Per treatment consumption	6 kg LN ₂
Efficient Standby mode consumption (between sessions)	25 - 40 kg
Average consumption	1000kg 100 - 150 treatments

Electric parameters:

Maximum power of current needed by equipment	2 kW
Standard power supply	1 phase, 230V, 50Hz

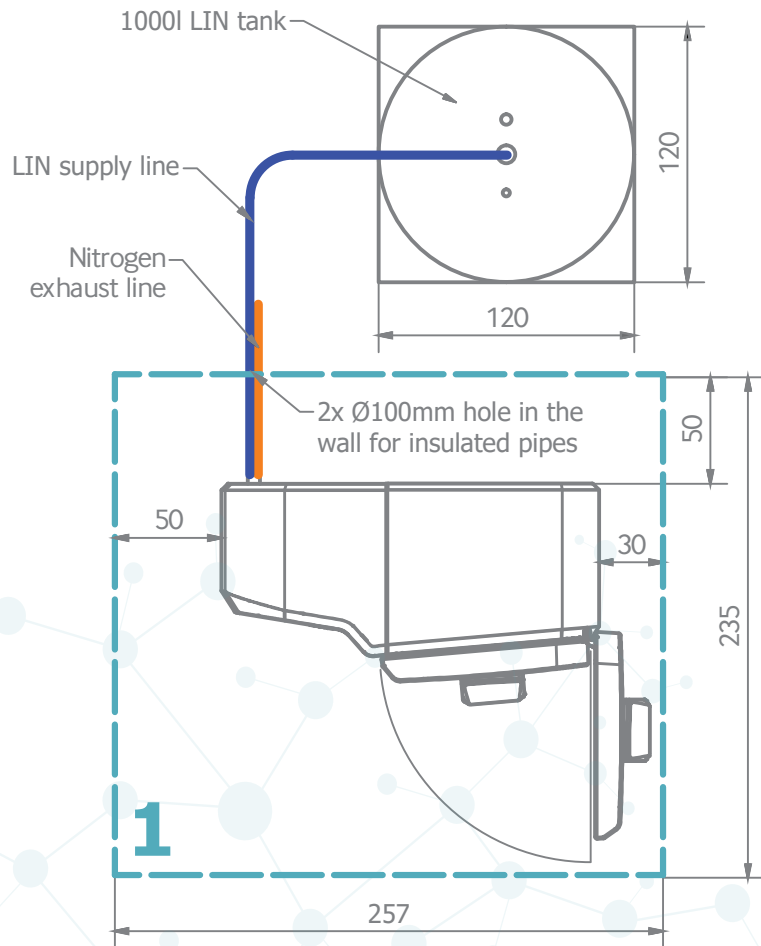
Time parameters:

First treatment to cool cryochamber down to -120 °C	10 min
Recovery time between each treatment	1 - 2 min
Ideal treatments are a maximum of 3min. However, can be shortened to suit client's needs.	

Temperature parameters:

Controllable temperature of treatment	-100 °C to -160 °C
Three pre-defined temperatures levels.	

MINIMUM SPACE REQUIRED FOR °CRYO ARCTIC AND ONE EXTERNAL 1000 LITERS LIN TANK



OPERATIONAL REQUIREMENTS:

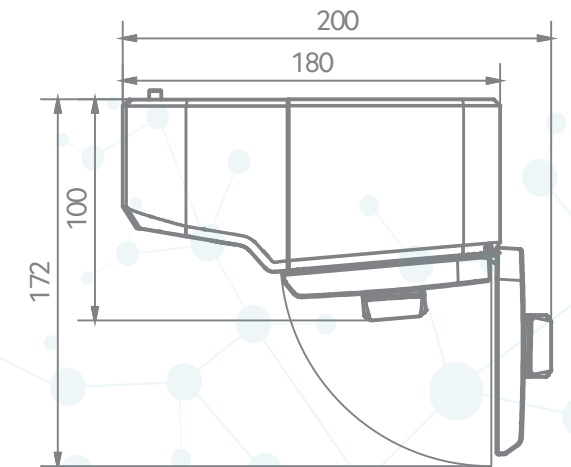
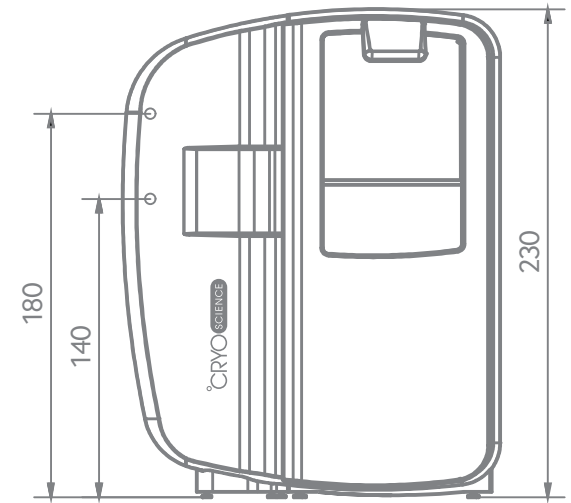
1. Tanks up to 1000 liters do not require civil permission to be installed. Please verify in accordance to your country civil law.

2. A 1000 liter tank requires reinforced ground, e.g. concrete blocks. Base dimensions are 120x120cm.

3. Additional oxygen monitoring system must be installed in the room. If stationary oxygen monitoring system can not be installed in the room, a personal oxygen meter must be carried by the operator.

4. Supply line is to be connected to the chamber, while exhaust line goes outside the building or into the main ventilation duct.

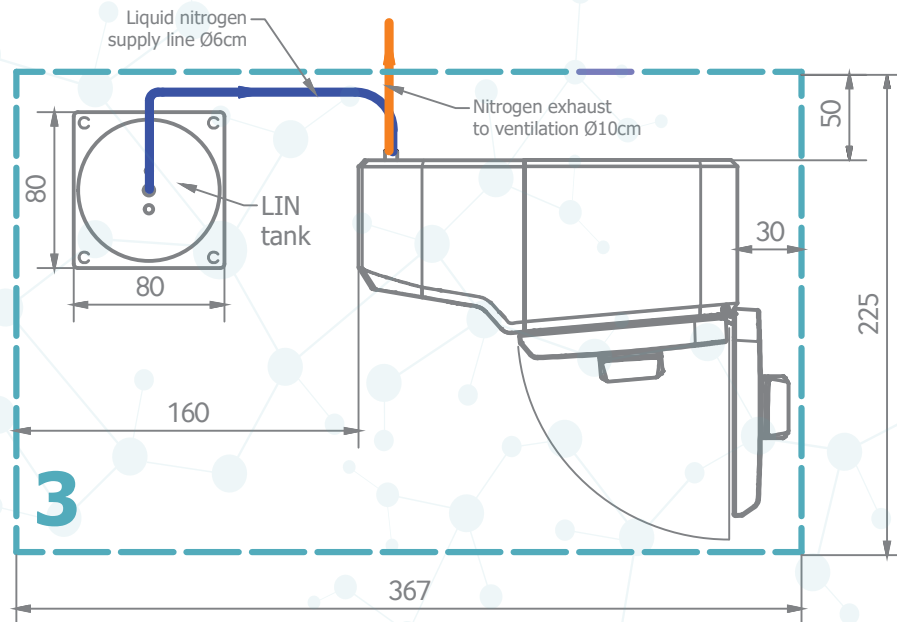
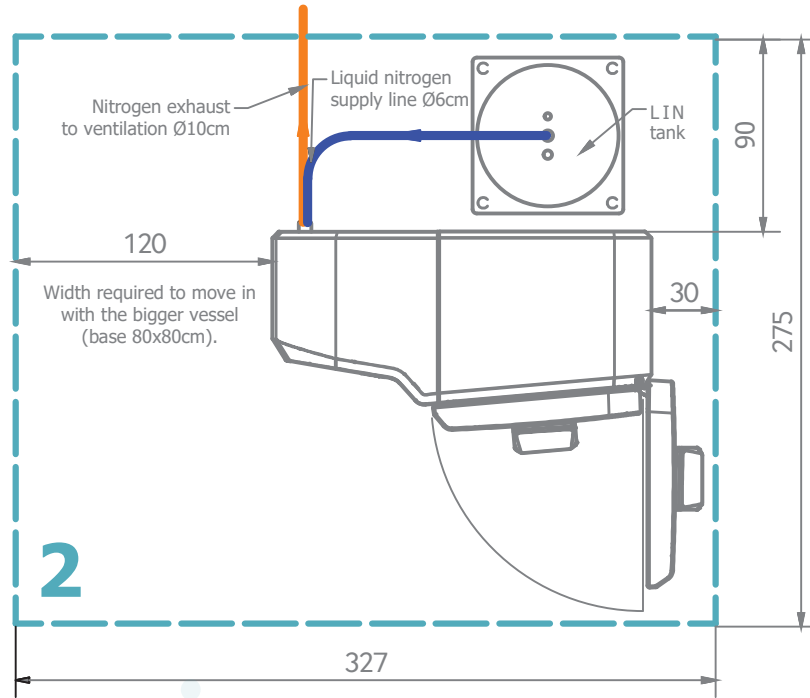
5. LIN supply connection and nitrogen exhaust are 140cm and 180cm from the ground level, respectively.



All dimensions are given in [cm].

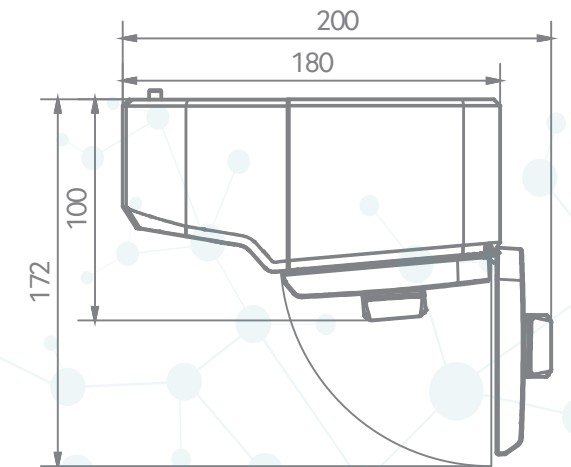
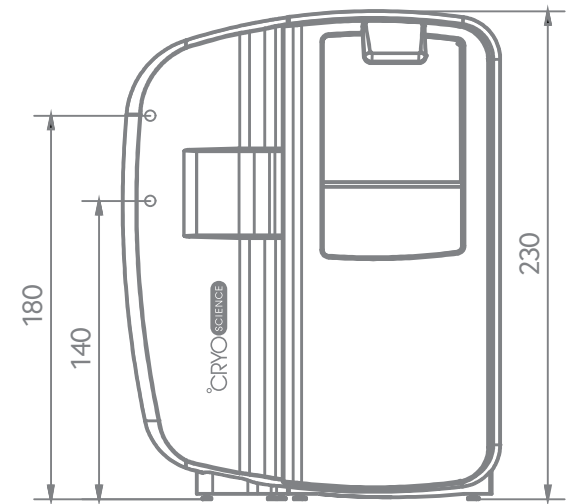


MINIMUM SPACE REQUIRED FOR °CRYO ARCTIC AND ONE 230 LITER LIN TANK IN THE SAME ROOM

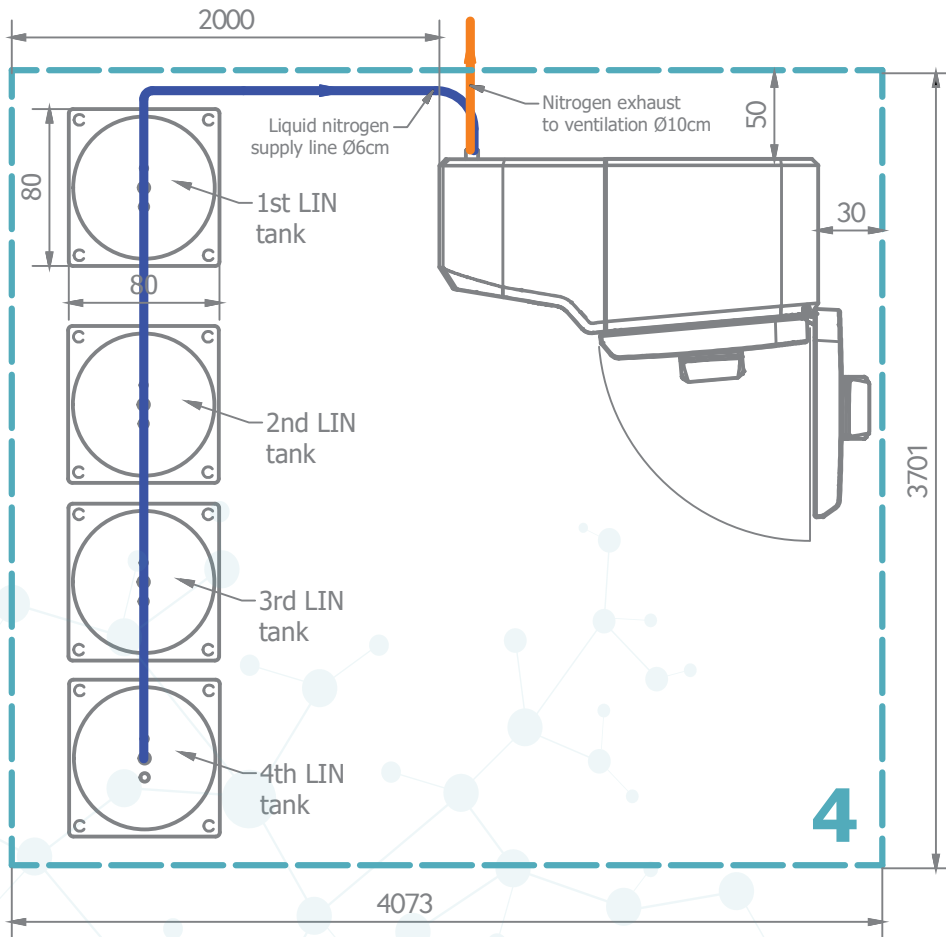


OPERATIONAL REQUIREMENTS:

1. An approximate minimal space required for one 230 liter tank is LxWxH: 80 x 80 x 200cm
2. Additional oxygen monitoring system must be installed in the room. If stationary oxygen monitoring system can not be installed in the room, a personal oxygen meter must be carried by the operator.
3. Supply line is to be connected to the chamber, while exhaust line goes outside the building or into the main ventilation duct.
4. LIN supply connection and nitrogen exhaust are 140cm and 180cm from the ground level, respectively.

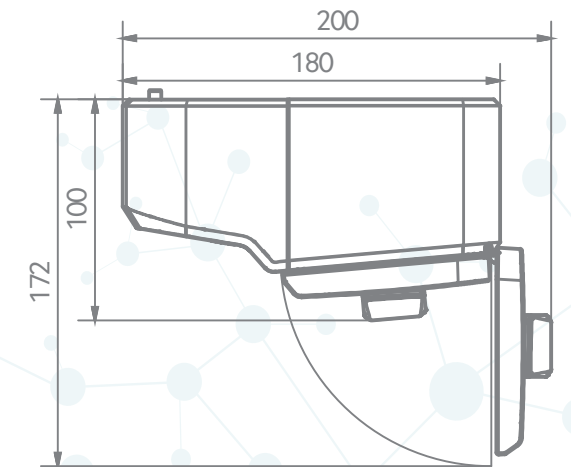
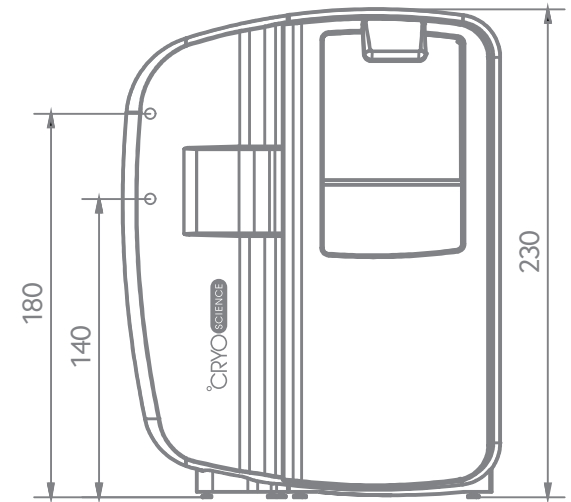


MINIMUM SPACE REQUIRED FOR °CRYO ARCTIC AND MULTIPLE 230 LITER LIN TANK IN THE SAME ROOM



OPERATIONAL REQUIREMENTS:

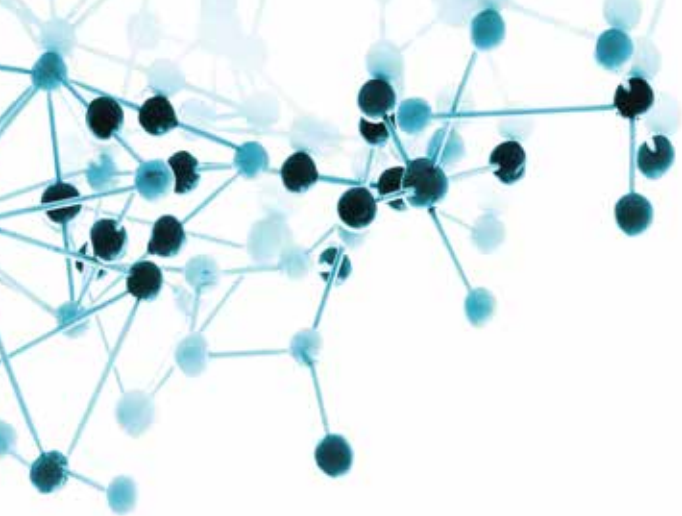
1. An approximate minimal space required for one 230 liter tank is LxWxH: 80 x 80 x 200cm
2. Additional oxygen monitoring system must be installed in the room. If stationary oxygen monitoring system can not be installed in the room, a personal oxygen meter must be carried by the operator.
3. Supply line is to be connected to the chamber, while exhaust line goes outside the building or into the main ventilation duct.
4. LIN supply connection and nitrogen exhaust are 140cm and 180cm from the ground level, respectively.
5. Each tank must be easily accessible and not blocked by any furniture or equipment





Get in touch with us

info@cryo-science.com.au
www.cryo-science.com.au



www.cryo-science.com.au

